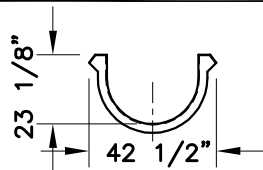


MODEL: SS-48R

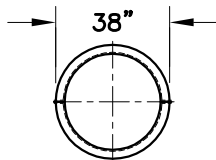
POOL RECOMMENDATIONS

Recommended Minimum Pool Area Reserved For Slide Operation Is 10' x 20' With Minimum Water Depth Of 36"

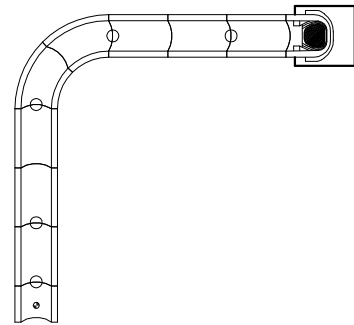
OPTIONAL CONSIDERATIONS



32" Open Flume



32" Enclosed Flume



MIRROR IMAGE MODEL: SS-48L

BASE SPECIFICATIONS

Ride Length	47.94'
Centerline Length	46.03'
Starting Elevation	6'-10"
Slope	15.76%
Flume Width	32.00"
Centerline Radius	6'-0"
Designed Water Flow	200 GPM

CONFIDENTIAL - PROPERTY OF SlideScapes, LLC

Standard Model SS-48R

DWG SCALE 1/8" = 1'-0"	DRAWN BY RLP	DWG. DATE Jan. 17, 2006
REVISION 0	REVISION DATE	DWG. NO. SS-48

Phone: 770-297-0107 Fax: 770-297-0340
800-490-1597
www.waterslides.biz